

# How To Find Product Serial Numbers

## Electric Fires and Stoves

**Electric Stoves-** (bottom left, below the fuel bed with the door open).



**Polaris, 4D iRange, and Luminosa-** (Data sticker on top left underside of fire).



**16" Electric Fires-** On the front of the fire behind the fret.



## Wood Burning/Multi-Fuel Stoves

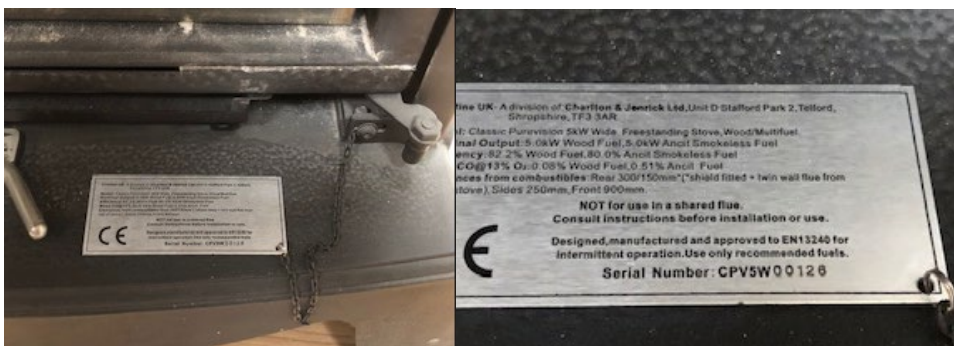
**Fireline FX, FP, FQ, Woodtec, and Purevision Heritage Stoves-** (the data plate is riveted to rear left leg & swivels round).



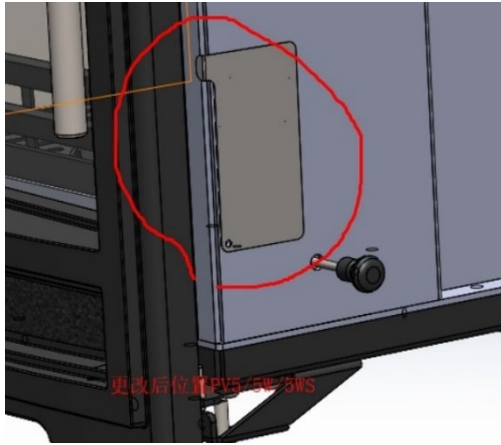
**Fireline Inset Stoves-** On a chain by the ash pan.



**Purevision Classic, 5kW, 5kW Wide, 8kW, PVR Cylinder, and Inset Stoves-** (Data plate is secured to the right hand side of the ashpan).



**From 2024- Purevision BPV5, BPV5W, BPV5W-Slim-** on the side of firebox (between the inner firebox and outer case).



**Purevision BPV85-** on the bottom by air controls to the right.



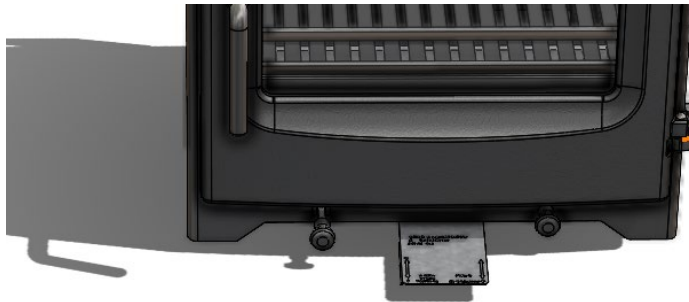
**Purevision LPV Stoves-** on a data badge rivetted to the left side of the stove by the air control lever. This just swivels out.



**All Go Eco Except the Excel Models-** on a chain connected to the rear leg.



**Go Eco Excel Models-** on plate riveted to the bottom of the stove that swivels out.



**Go Eco Adventurer-** on a plate riveted to the bottom of the stove that swivels out.

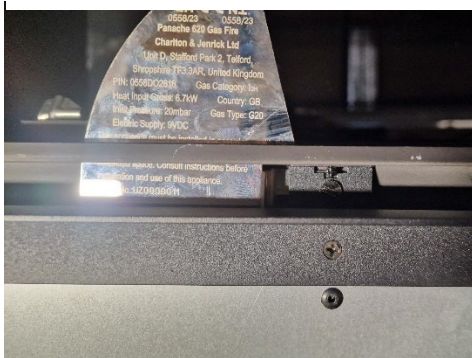


## Gas Fires and Stoves

**Panache 8040-** on a tag at the bottom right that swivels up & down.



**Panache 620 Hybrid-** on the bottom middle screw under the glass retainer.



**PV5W Gas Stove-** open the door and there is a badge on the base of the stove.

**16" Gas Fires-** on the top flange or base of the fire (low Lintel on left side flange).



**P Series CF fires & HD CF Fires-** on a plate that swivels out just below the glass channel.



**P5 BF-** on base of the fire.



**Infinity 780FL Mk2-** on base of fire (this can be found by removing the grill that sits between the front glass and the fireplace frame).



**Infinity 890HD BF-** on chain on the injector pipe.



**Gas Stove-** on a plate on the rear left-hand side of stove.

